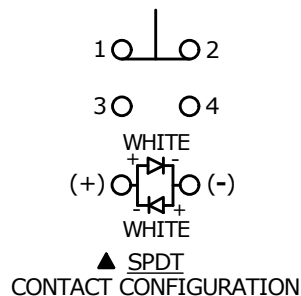


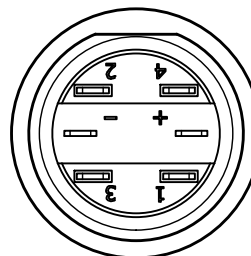
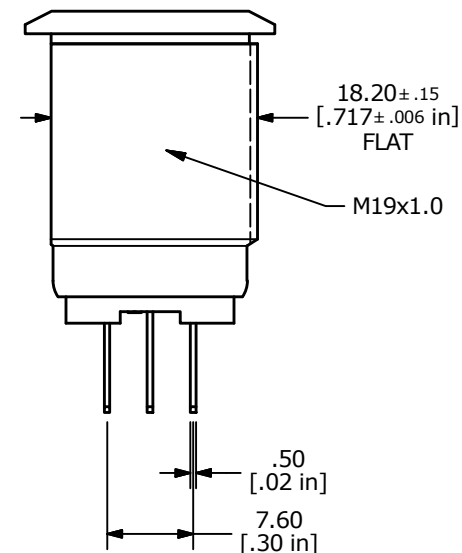
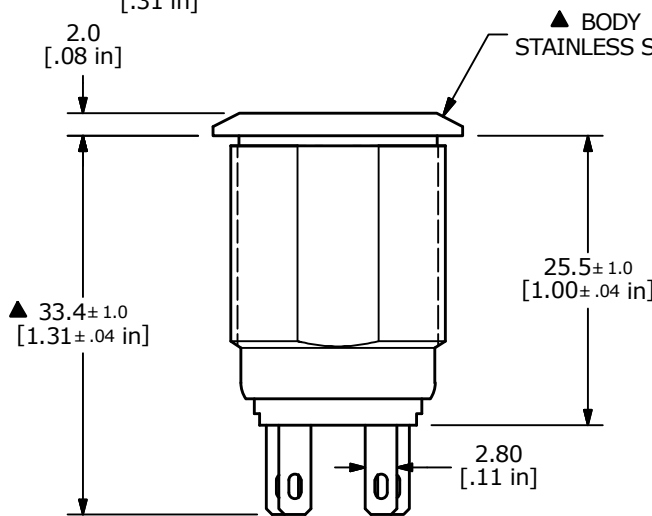
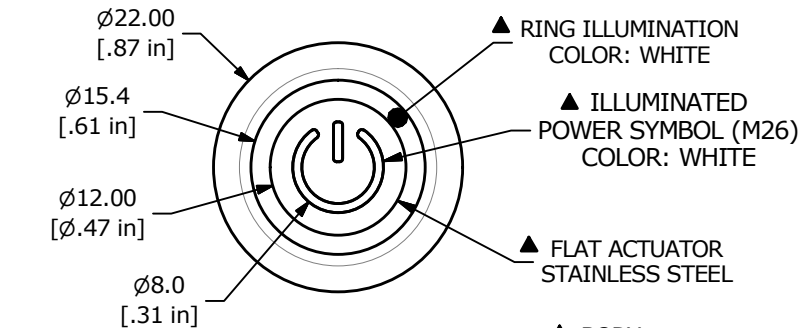
RECOMMENDED PANEL CUTOUT
MAX. PANEL THICKNESS: 11mm

| SWITCH FUNCTION | |
|-----------------|-----------|
| POS. 1 | POS. 2 |
| | |
| 1-2 ON | 1-2 (OFF) |
| 3-4 OFF | 3-4 (ON) |

() = MOMENTARY



- NOTE:
- ALL DIMENSIONS IN MM [INCH]
 - GENERAL TOLERANCE: X.X = ±0.4
X.XX = ±0.25
 - TERMINAL NUMBERS FOR REF ONLY
 - CONTACT MATERIAL: SILVER
 - RATING: 2A 24VDC
 - ELECTRIC LIFE: 50,000 MAKE-AND-BREAK CYCLES AT FULL LOAD.
 - INSULATION RESISTANCE: 1,000 MΩ MIN.
 - DIELECTRIC STRENGTH: 2,000 VAC MIN. FOR 1 MINUTE
 - CONTACT RESISTANCE: 50mΩ MAX. @ 1A 12VDC
 - OPERATING TEMP.: -20°C to 55°C
 - TRAVEL: 2.8mm
 - ▲ DENOTES CRITICAL PARAMETER
 - LAMP VOLTAGE: 12V
 - INGRESS PROTECTION: IP65
 - HARDWARE SUPPLIED: O-RING AND HEXNUT



| REV | PCR NO | DESCRIPTION | DATE | BY |
|-----|--------|------------------------------|----------|-----|
| D | 24065 | UPDATE TERMINALS | 10/15/19 | MW |
| C | 23606 | UPDATED RATING TO 2A @ 24VDC | 10/11/18 | MJR |
| B | 22852 | align terminals per part | 5/16/17 | MW |



| | | | | |
|-------------------------|----------------|-------|------------------------|-------|
| TITLE PV4F2Y0SS-304-M26 | | | | |
| SCALE 3:2 | DATE 5/10/2017 | DR MW | DWG 52-PV4F2Y0SS304M26 | REV D |

THE INFORMATION CONTAINED IN THIS DOCUMENT IS PROPRIETARY TO E-SWITCH AND IS NOT TO BE COPIED OR TRANSFERRED